

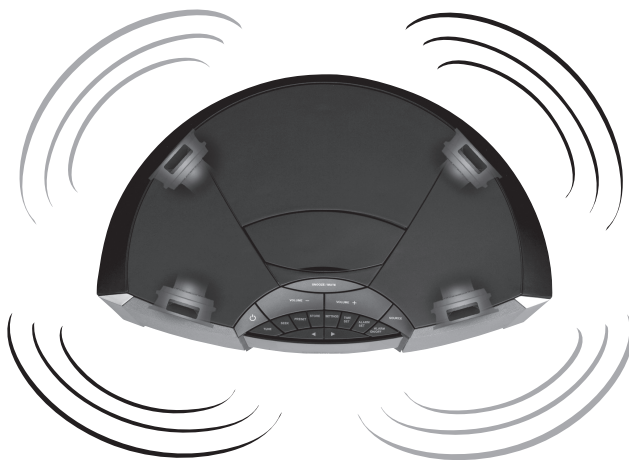
**You've Been Listening to Your iPod and iPhone.
Now Hear How Your Music Really Sounds.**

The new I-Sonic[®] Digital Audio System (DAS) is the next generation of our best sounding and most advanced table-top entertainment system that includes several important upgrades. The I-Sonic DAS features Polk Audio's exclusive I-Sonic and PowerPort[®] technologies, but with the addition of a new, more powerful amplifier and new DSP processing, enabling the I-Sonic DAS to play louder with better bass and even bigger imaging. Working together, these technologies produce extraordinary lifelike sound everywhere in a room. And all from a device small enough to place on any countertop, end table or nightstand. With its iPod/iPhone dock, AM/FM tuner and audiophile grade speaker system, the I-Sonic Digital Audio System reveals in stunning detail all the sound quality potential of today's digital sources.



I-Sonic's Advanced Audio Technologies

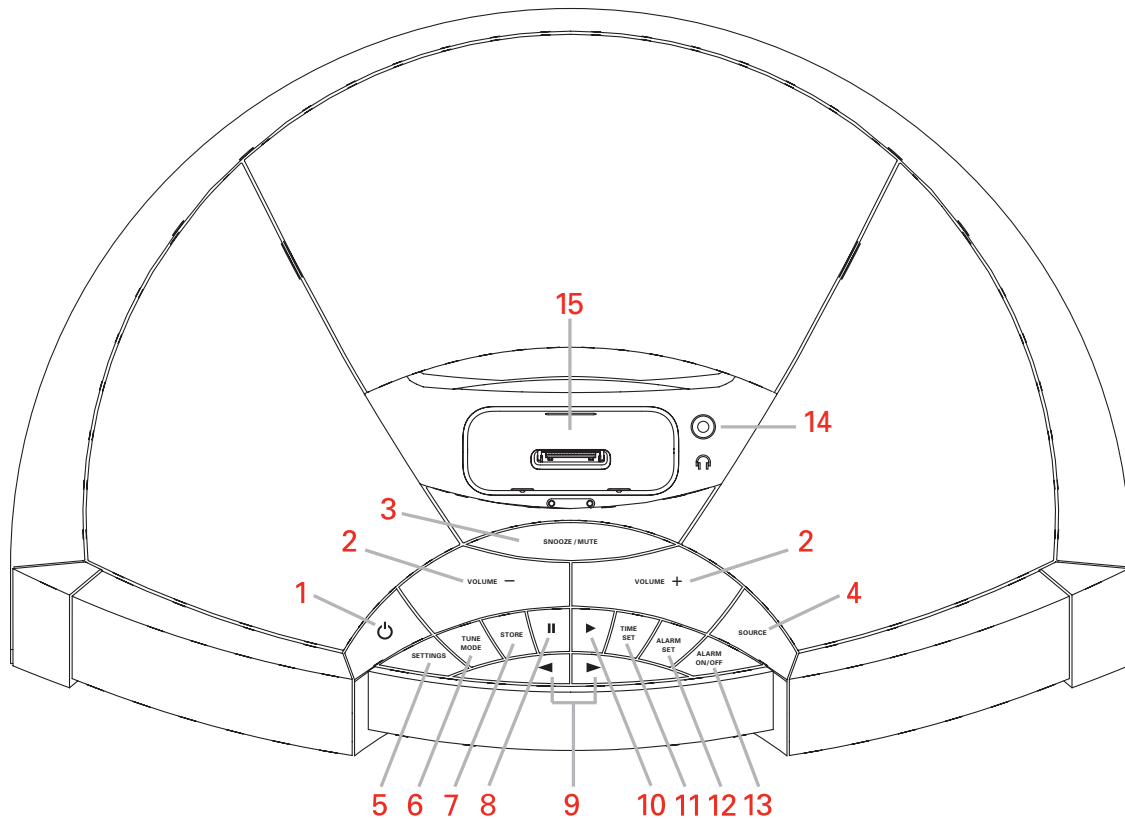
You're not always going to be directly in front of your I-Sonic system when you listen, but that won't prevent you from hearing full spectrum stereo sound thanks to the I-Sonic 4-speaker array. Even if you're off to the side or behind the I-Sonic DAS, you'll hear big lifelike sound everywhere in your room. You won't have to put up with substandard sound no matter where you are in the room as you would with 2-speaker entertainment systems. You'll always hear the clarity and spacious sound you expect from Polk Audio. Plus, our patented PowerPort venting technology sends out the kind of rich, powerful bass you'd expect from much larger stereo speakers.



Back panel hookups include: external FM antenna, external AM antenna, auxiliary input (3.5mm) and power.

Features

- **I-Sonic Speaker Technology** allows stereo imaging on all sides of the entertainment system.
- **Patented PowerPort Bass Technology** for impressive bass performance.
- **iPod/iPhone Dock** with universal well adapters integrated into the top of the unit.
- **LCD Display** showing artist, title, commercial fields.
- **Remote Control** for all radio functions.
- **20 Presets** for AM/FM.
- **Clock with Alarm & Sleep Timer.**
- **Auxiliary Input** for easy connection of other devices.
- **Outputs**—headphone (mutes main speakers)
- **Compact Size**—14 1/4" W x 9 9/16" D x 4 15/16" H (36.20 cm x 24.29 cm x 12.54 cm)



1. **POWER Button.** Toggles the power between "On" and "Standby."
2. **VOLUME Buttons.** Increases/decreases the volume level. Also takes the I-Sonic Digital Audio System out of "Mute" if it's engaged.
3. **SNOOZE/MUTE Button.** During normal operation: Mutes the sound of any source. When alarm is sounding: turns off alarm for 10 minutes. When in "Standby:" changes the display brightness.
4. **SOURCE Button.** Selects the source you want to play: AM, FM, iPod or AUX.
5. **SETTINGS Button.** Adjusts bass level, treble level, display brightness, sleep timer and Aux input gain.
6. **TUNE MODE Button.** Switches between Tune, Seek and Preset tuning modes.
7. **STORE Button.** Saves stations into the next available preset.
8. **PAUSE Button.** Pauses a track during iPod or iPhone operation.
9. **ADJUST Buttons.** Changes selections during I-Sonic system operation.
10. **PLAY Button.** Plays a track during iPod or iPhone operation.
11. **TIME SET Button.** Sets the time.
12. **ALARM SET Button.** Sets the alarm.
13. **ALARM ON/OFF Button.** Turns the alarm on or off.
Note: When the alarm is on, the display will show the alarm icon.
14. **HEADPHONE JACK.** When headphones are plugged into this jack, the MAIN SPEAKERS will be muted.
15. **DOCK.** The dock has a universal well and requires the appropriate iPod or iPhone adapter. Use the adapter that came with your device or use the one included in the box specific to your iPod.

Specifications, dimensions and features subject to change without notice.
For more information visit www.polkaudio.com

iPhone, iPod, iPod classic, iPod nano, and iPod touch are trademarks of Apple Inc., registered in the U.S. and other countries. Made for iPod touch (1st, 2nd, 3rd, and 4th generation), iPod classic, iPod with video, iPod nano (1st, 2nd, 3rd, 4th, 5th, and 6th generation), iPhone 4, iPhone 3GS, iPhone 3G, and iPhone. "Made for iPod" and "Made for iPhone" mean that an electronic accessory has been designed to connect specifically to iPod or iPhone respectively, and has been certified by the developer to meet Apple performance standards. Apple is not responsible for the operation of this device or its compliance with safety and regulatory standards.